

For Product Step File or 3D Model Send a Request Mail To info@nrack.com

Photo View

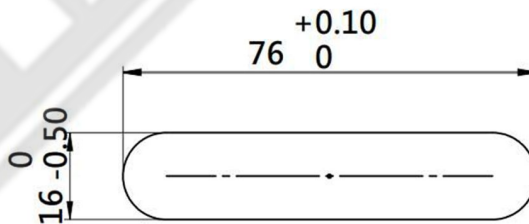
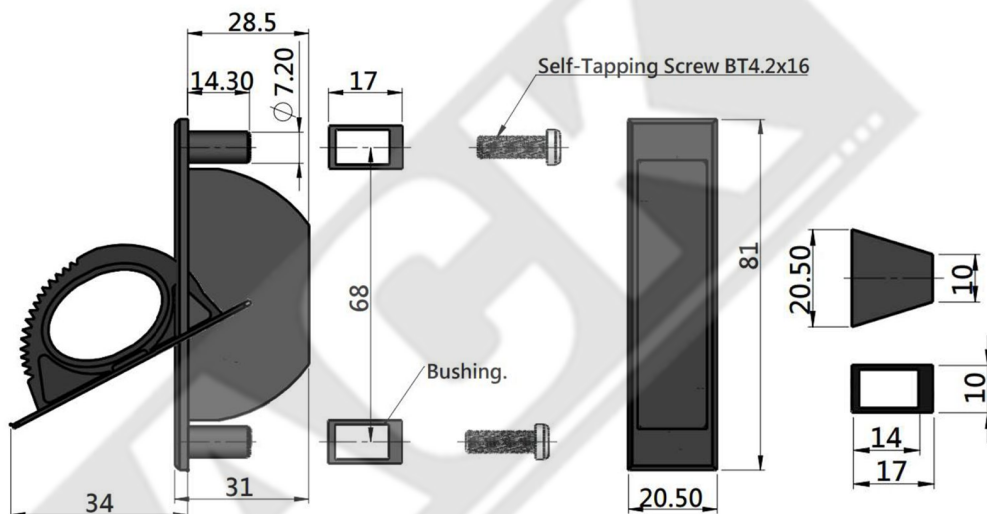


3D Rendered View



PL - 005 - 2

- Material:PA
- Finish:black sand grain surface.
- Panel thickness:1~6mm



PANEL CUTOUT